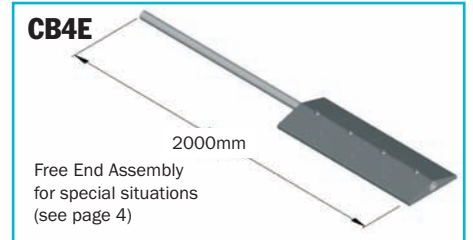
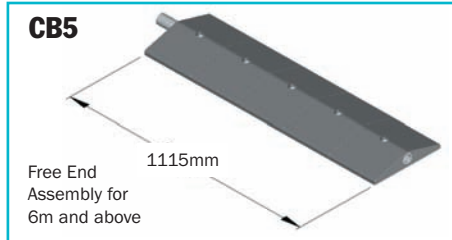
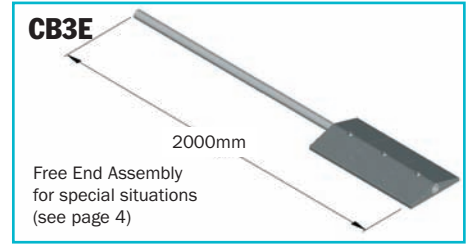
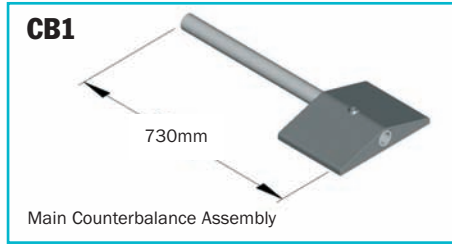
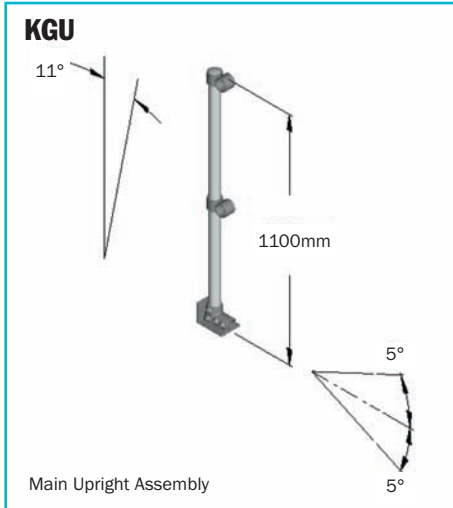


# KeeGuard® Assemblies



The CB5 assembly should be used for end uprights when there is no tie into the building and at the end of a run that exceeds 6 metres in length. For runs less than 6 metres please contact the KeeGuard technical team on 0118 931 1022 for advice

See back page for installation details

Please Note: all assemblies are supplied complete with pyramid sectioned rubber pads for anti-slip protection

## Special Fittings



90° corners



Variable angle



Tube joint



Plastic plug



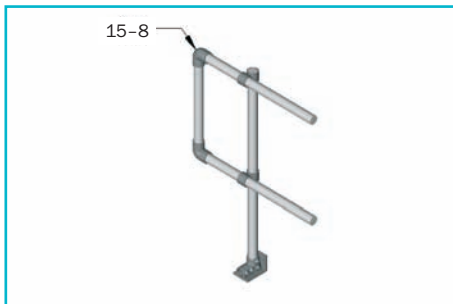
Wall plate



KGA 200 Coverstrip

- There are other Kee Klamp fittings which can be used in unusual situations

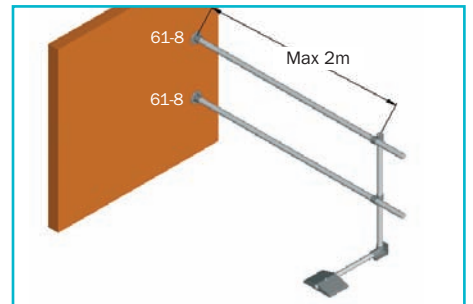
## Terminating The Run



On returns of 500mm or less use two Kee Klamp 15-8 fittings to make a D return



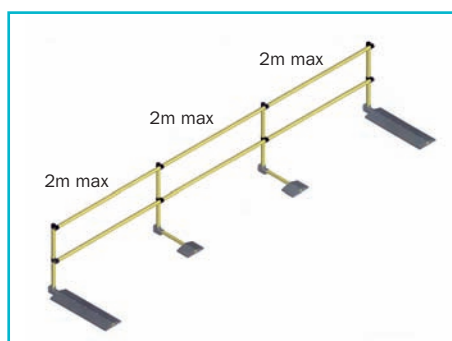
If you are using a CB5 to terminate the run you must allow for 2 x 77-8 fittings to blank off upright rail ends



For wall fixing use 61-8 wall plates

## Health and Safety Compliance

Health and Safety Specialist Report No 15 : 1987 states that a system must be tested as a six metre length run. A test load of 700 Newtons should be applied anywhere along the top rail and the deflection should be no greater than 100mm from it's original position without fracture or slippage at the base of the uprights.



System Test Layout Compliant with HSE15:1988

**Always ensure the system you install has been tested and installed in compliance with Health and Safety recommendations**

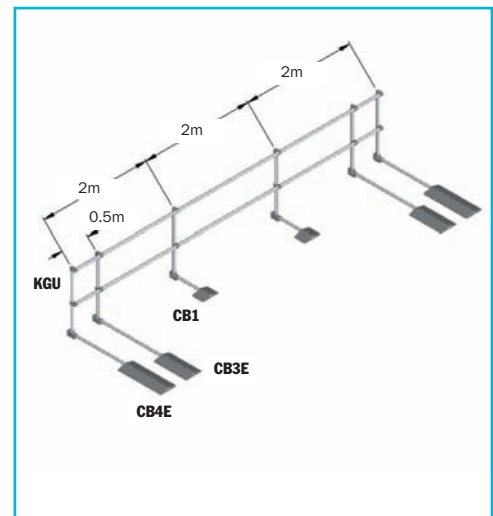
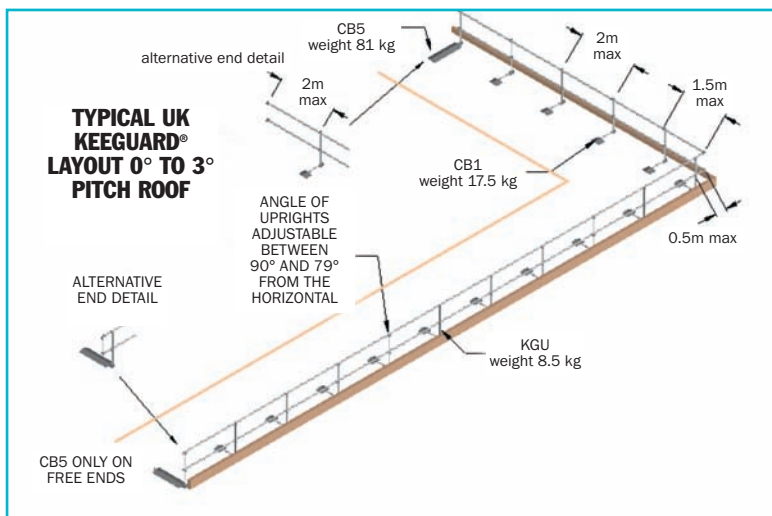
# KeeGuard® - Installation Instructions

- 1 Having ensured the location of the first main upright is free from stones etc. position a KGU.
- 2 Connect the counterbalance assembly, CB5 to the KGU upright and tighten the grub screws.
- 3 Position a KGU at 2 metres from the first upright, connect a CB1 assembly and tighten grub screws.
- 4 Thread the handrail tube through the fittings at the top and mid section of the uprights and tighten the grub screws. Connect the lengths of handrail together using a Kee Klamp fitting 14-8 (straight coupling)
- 5 Simply continue along the roof edge repeating step 3 & 4.
- 6 Ideally the 14-8 connections on the mid rail should be 2 metres distance from the top rail 14-8 connections.
- 7 At 90° corners use the Kee Klamp fitting 15-8. Ensure

that an upright is no further than 500mm from the corner and the total length between uprights around the corner is no greater than 2 metres.

## TERMINATION

- The beginning and end of every continuous run of the KeeGuard system must have a KGU and CB5 unless fastened to a structural member.
- To fasten the KeeGuard system into brickwork use a Kee Klamp fitting 61-8 (wall flange). The closest upright should be placed no further than 2 metres from the wall.
- To blank off the open ends of tube use a Kee Klamp fitting 77-8. If you wish to create a D return of no greater than 500mm use Kee Klamp fittings 15-8 (90° elbow)



## SPECIAL SITUATIONS

- For runs of KeeGuard roof edge protection less than 6 metres please contact our technical department.
- At corners greater or less than 90°, where a run is continuous, use Kee Klamp fitting BC53-8 (variable elbow) with spacing no greater than 2 metres between uprights and one upright no further than 500mm from the corner.
- For the system to meet the requirements of HSG 33 it may be necessary to also install a 150mm high toeboard (extra) to the front of the KGU assembly,
- It is recommended that periodical inspections are carried out to ensure that the system has maintained its integrity and that any defects are recorded and put right.

## SLIPPERY AND/WET CONDITIONS

In a situation where a free-end is to be positioned within 2 metres of a fall hazard, there being no parapet wall or other construction which would act as a secondary constraint upon slippage and there being no other reasonable means of providing a structural tie to the free-end, then the free-end construction must be configured as shown in the diagram above to avoid the possibility of slippage under wet conditions. Kee Klamp Ltd. advises that KeeGuard should not be installed during snowy or icy weather unless all snow and ice is cleared first. Great care must be taken and extra personal protection provided if roofs and other elevated areas are to be accessed during conditions of high wind, ice or snow whether or not edge-protection is provided.



Kee Klamp Limited  
 1 Boulton Road  
 Reading  
 RG2 0NH  
 United Kingdom  
 Tel: +44 (0) 118 931 1022  
 Fax: +44 (0) 118 931 1146  
 Email: sales@keeguard.com  
 www.keeguard.com

The KeeGuard System must not be used for attaching Personal Protection Equipment to.

Kee Klamp, Keenect, KeeGuard, Keeline and Kee Koat are all registered trademarks of Kee Klamp Ltd Copyright ©2006 Kee Klamp Ltd. All Rights Reserved. TUV have tested the system to ensure compliance with the requirements of OSHA Standard 29 CFR 1910.23, HSE S.R No 15, BGV A1:2000 & EN ISO 14122 Part 3 only. The brochure and its contents have not been part of the tests. Whilst every effort has been made to ensure the accuracy of the information contained in this manual, Kee Klamp Ltd and/or its related companies cannot be held responsible for any errors or omissions.

Kee Klamp Ltd and/or its related companies reserve the right to alter or withdraw products herein without prior notice. Kee Klamp Ltd and/or its related companies accept no responsibility for any loss or damage arising from improper use of their products.